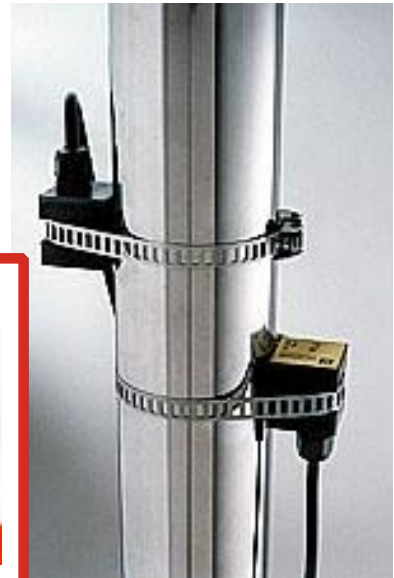


Penetrating Pulse Technology
provides through the wall measurement
of liquid levels
presence or absence detection

Model SC-11

IDEAL for

-  **Biotech**
-  **Chemicals**
-  **Food & Beverages**
-  **Liquified Gases**
-  **Hydrocarbons**
-  **Pharmaceuticals**
-  **Pure water**



External transducer

Hygienic, Maintenance free, Non-Hazardous.

Functions with

Corrosive, Toxic, Purified, Aggressive Liquids.

Unaffected by

All vapors or changes in vapor concentrations.
Pressure and pressure variations.

Installation

Easy to install no welding required.

This revolutionary system was developed and field proven in Europe. Now available in the USA, exclusively by HiTECH, this proprietary approach that we call "penetrating pulse technology", enables "Through the Wall" level measurement.

The fundamental measurement principle is easy to understand. The transducer emits a brief penetrating acoustic pulse. This pulse is transmitted through the wall of the vessel into the pipe. The unit monitors the pulse transit time, which is different for gas and liquid, provides a signal (switch contact) indicative of materials' presence or absence.

Media monitored may be abrasive, corrosive, or toxic, and/or contained in sealed or pressurized vessels at high temperatures. Also eliminated are the concerns of vessel integrity, contamination, or sensor wear.



SPECIFICATIONS

Type

Penetrating Pulse Technology point level (presence/absence)

- Pulse-echo method with lateral attachment
- Pulse-echo method with vertical attachment
- Ultrasonic transmission
- Dying down

Measurement Range

Max. transmission time: 32 ms (approx. 23 m with water)

Resolution

Gate beginning/ gate width: 1 μ s

Frequency

Measurement Cycle
Approx. 20 HZ

Sensor Cable Length

Max. 10 meters

Maximum Wall Thickness

2.0" metal, glass, fiberglass, or plastic with or without lining.

Output Signal

Relay contact
500 ma, 50 V

Electrical Connection

Electronics
IP65 cable gland, internal: plug-in screw terminals

Sensors
permanently installed cable or water-tight plug connector

Parameter Setting

- Digital buttons via display panel
- Access control by code number

Power Requirements

18 ... 30 VDC, 100 mA

Operating Temperature

Electronics -20 to +60°C
Sensors -20 - +135°C

Housing

Electronics - Aluminium, IP65
L x W x H: 160 x 100 x 80 mm,
Sensors
Plastic or Stainless Steel:

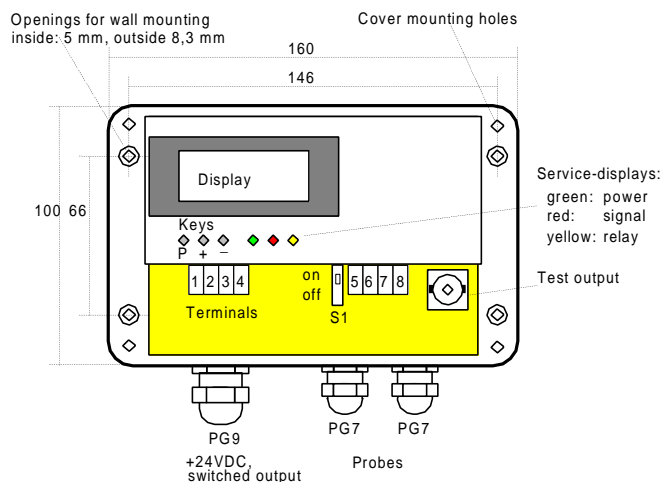
Mounting

Electronics
wall-mounted

Sensors
Mounting ring / mounting plate / fastening strap on vessel:

Approvals

CE Conformity



PERFORMANCE GUARANTEE

Since 1986, every instrument sold by HiTECH has been guaranteed to perform in the application it originally was engineered and recommended for. Our company policy remains the same, every product sold comes with a written performance guarantee.

Should the equipment be unable to perform satisfactorily in your application and we are not able to correct the problem, we will accept the instrument in return and issue full credit. This performance guarantee is valid for 60 days. Thereafter, our standard limited two years factory warranty goes into effect.